

Ambient Light Sensor Controlled LED Lighting Bulb

HT7L4661 + HT46R002

Features

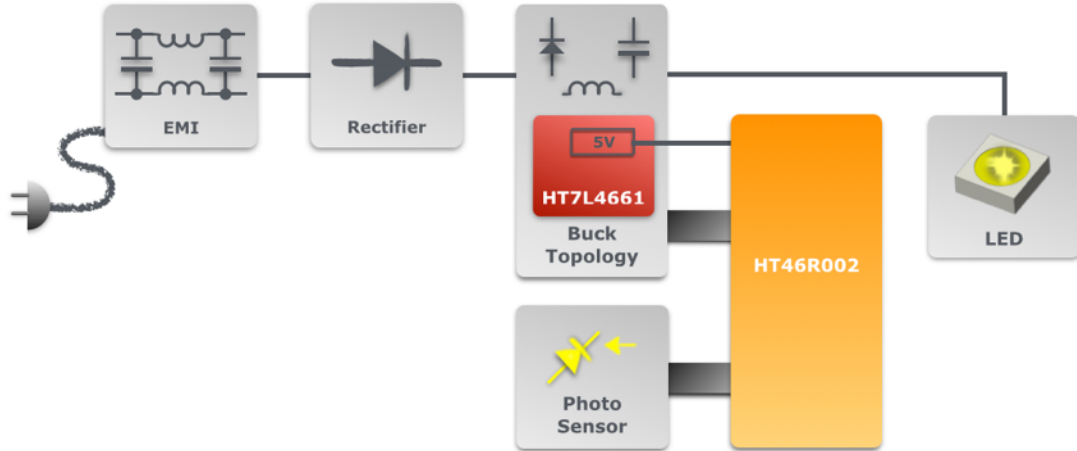
- Includes internal microcontroller
- Switches on at dusk and off during daylight
- Dual ambient light sensors for increased sensitivity
- Cost effective non-isolation topology
- Starting time < 0.5S
- Rated power : 8W
- Power factor > 0.9
- Full AC input voltage range : 180VAC ~ 264VAC
- Up to 89% efficiency

Applications

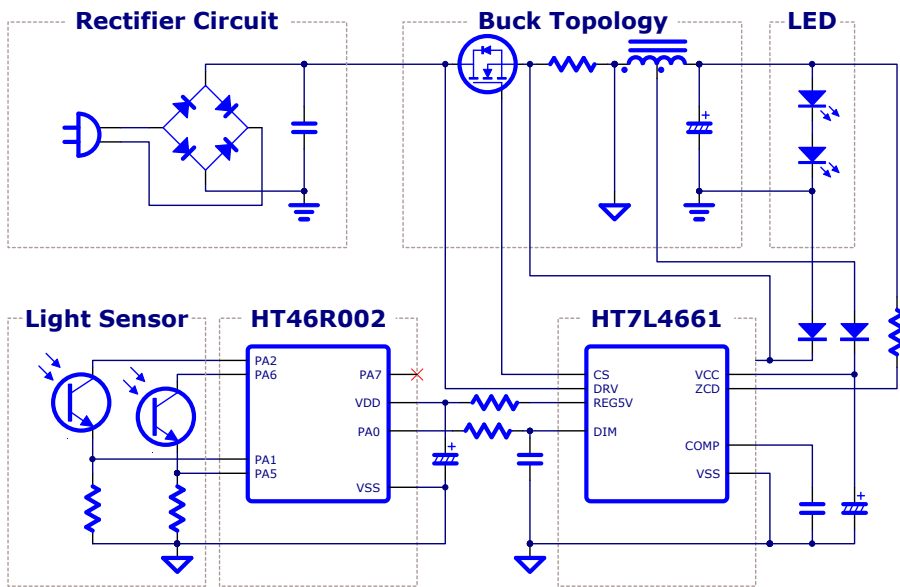
Sensor lighting, accent lighting, home lighting and other indoor lighting



Block Diagram



Application Circuit



Emergency LED Lighting Bulb

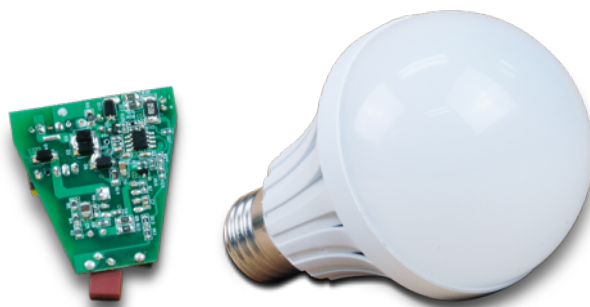
HT7L5610 + HT45F3420

Features

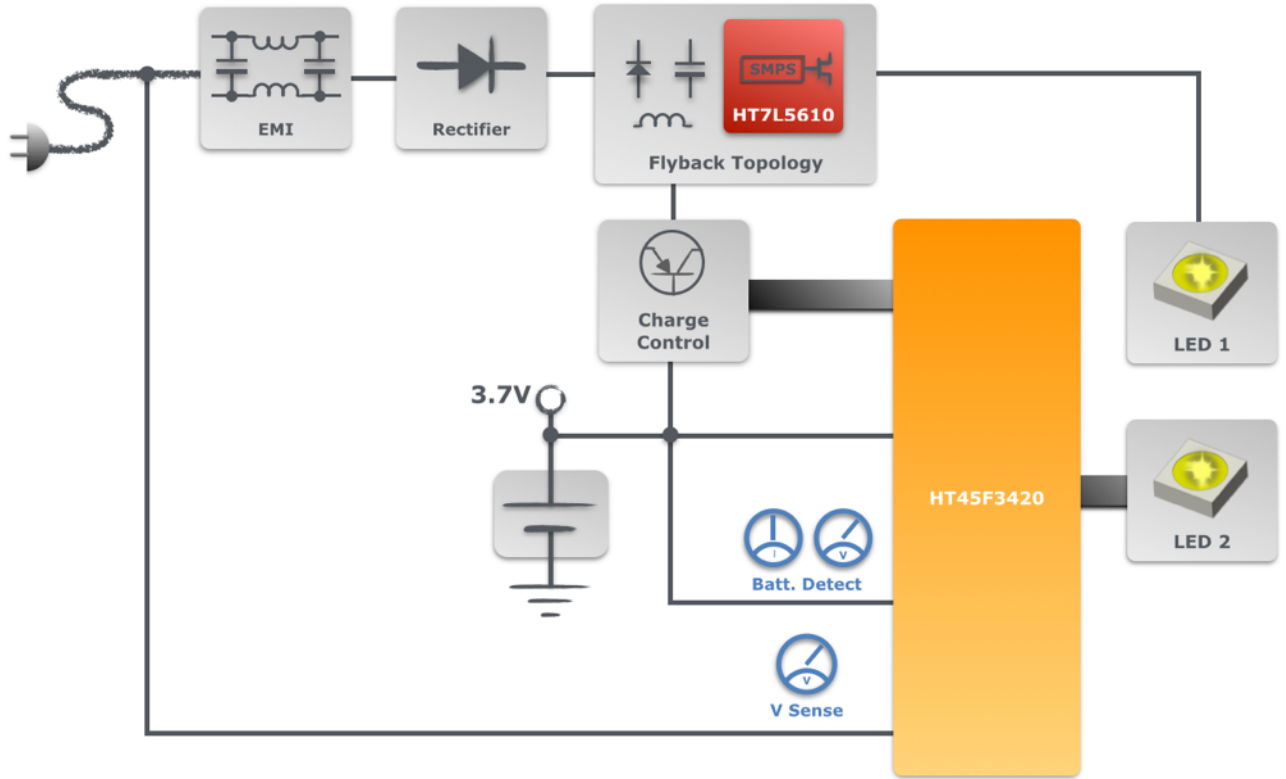
- Includes internal microcontroller
- 3-Hour emergency light
- Flashlight finger touch control
- Integrated rechargeable 1200-mAh battery
- Automatically switches on when AC power fails
- Electric shock prevention – uses isolation topology
- Rated power : 8W
- Full AC input voltage range : 90V_{AC} ~ 265V_{AC}
- Up to 82% efficiency
- Charging time : 1 ~ 2 hours

Applications

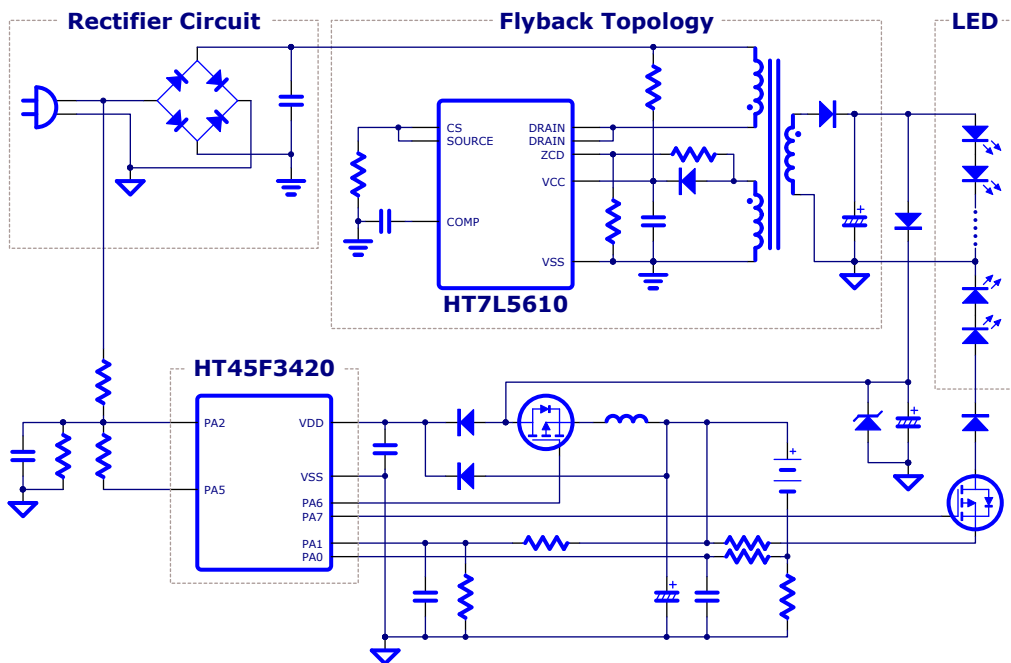
Emergency lighting, home lighting and other indoor lighting



Block Diagram



Application Circuit



PIR Controlled LED Lighting Bulb

HT7L4661 + HT45F0027

Features

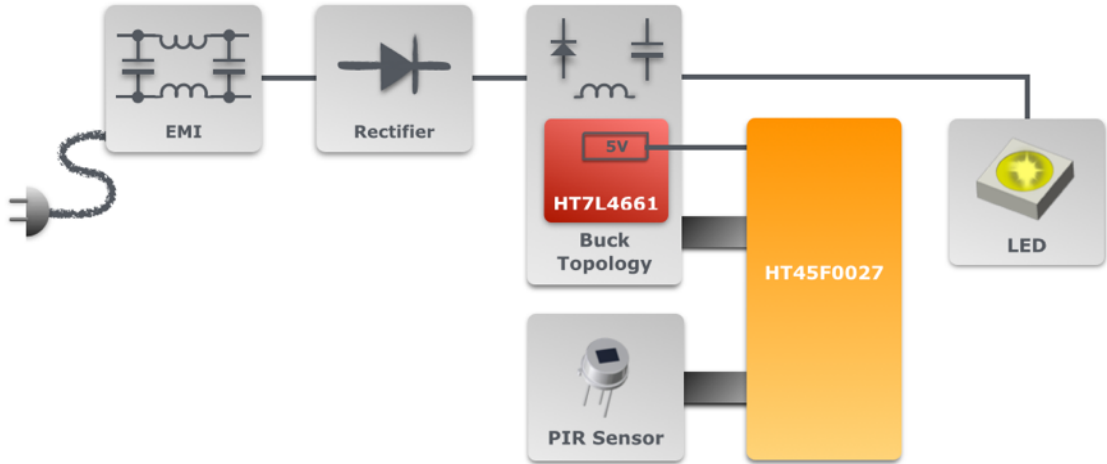
- Includes internal microcontroller
- Switches on when motion is detected
- 4-meter detection range
- Remains on for 10 seconds then switches off automatically
- Cost effective non-isolation topology
- Rated power : 10W
- Power factor > 0.9
- Full AC input voltage range : 90VAC ~ 265VAC
- Up to 83% efficiency

Applications

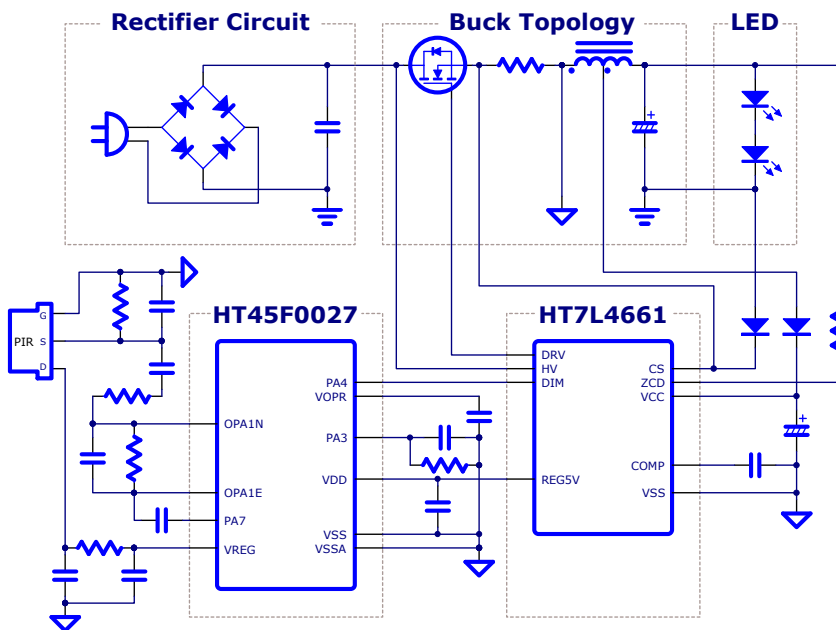
Sensor lighting, home lighting and other indoor lighting



Block Diagram



Application Circuit



3-Color Tunable LED Lighting Bulb with Wall Switch Control

HT7L5610 + HT46R002

Features

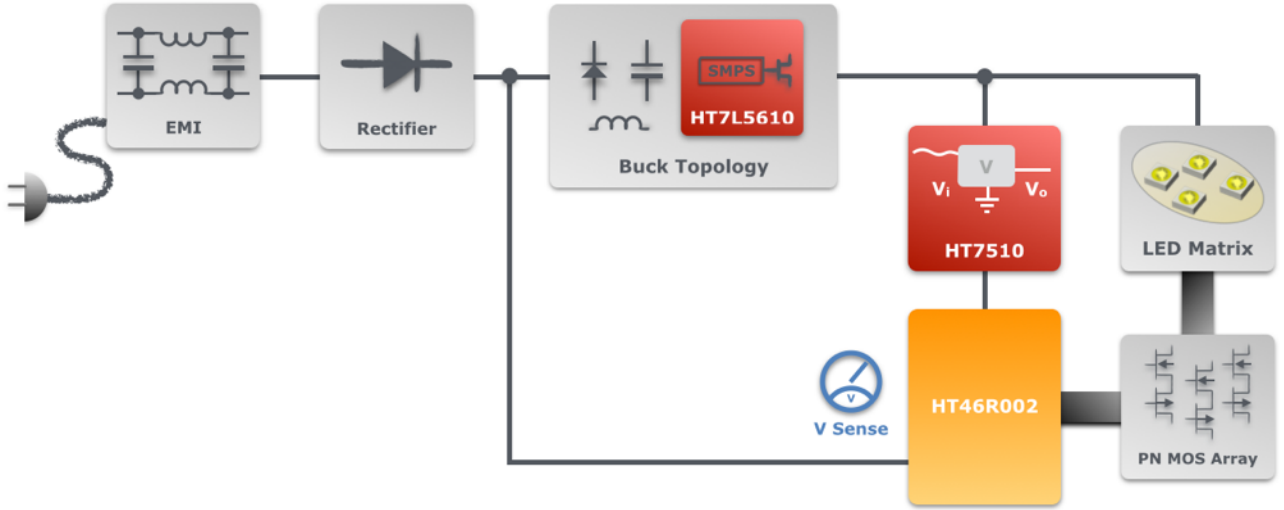
- Includes internal microcontroller
- Easy color adjustment by switching twice continuously
- 3-Color temperature change : 6500K → 2700K → 4500K and repeat
- Supports both non-isolation and isolation topology
- Rated power : 6.5W Max
- Full AC input voltage range : 90VAC ~ 265VAC

Applications

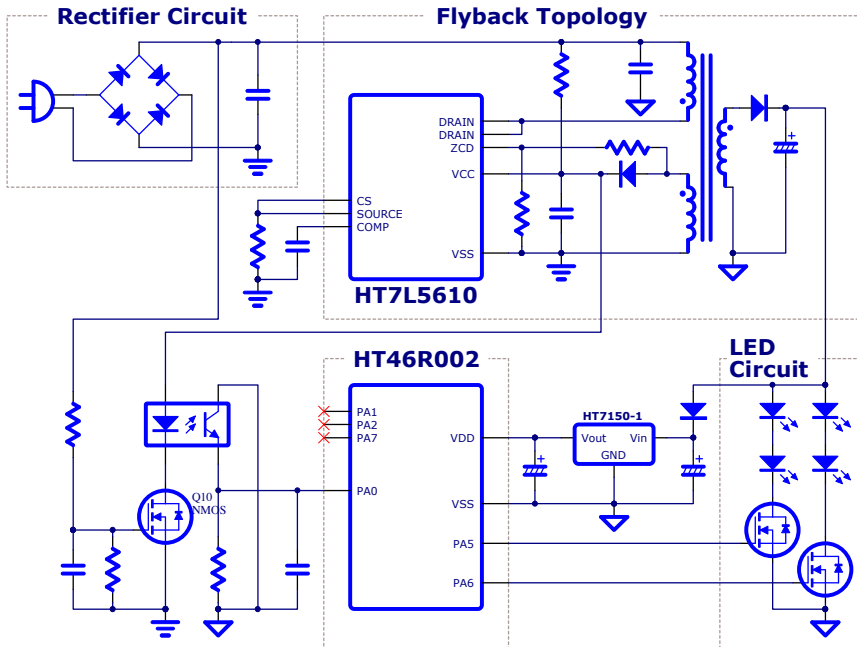
Sensor lighting, home lighting and other indoor lighting



Block Diagram



Application Circuit



3-Color Tunable LED Lighting Bulb with Wall Switch Control

HT7L4813 + HT46R002

Features

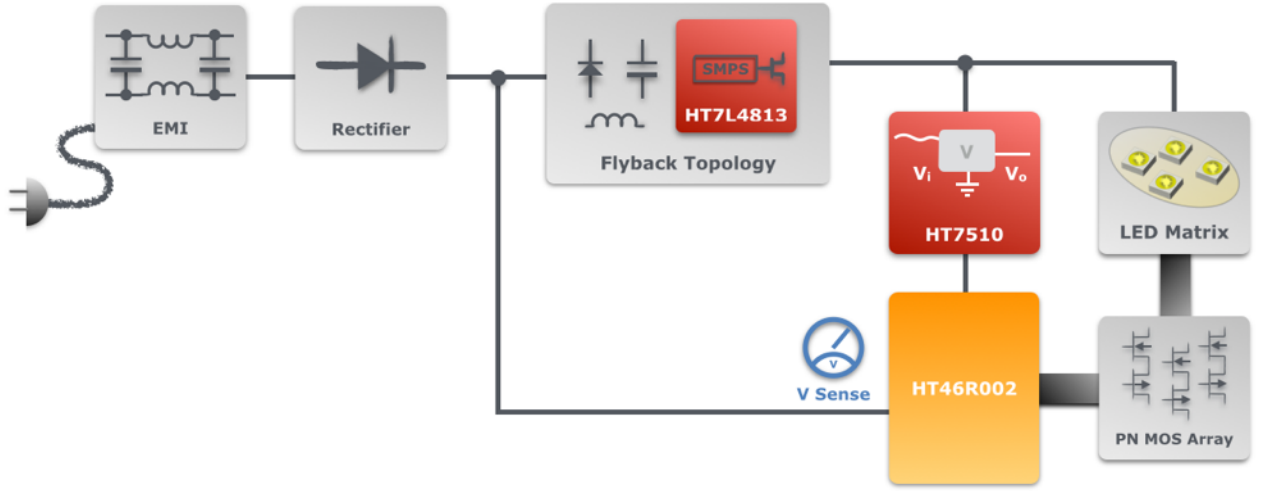
- Includes internal microcontroller
- Easy color adjustment by switching twice continuously
- 3-Color temperature change : 6500K → 2700K → 4500K and repeat
- Supports both non-isolation and isolation topology
- Rated power : 6.5W Max
- Full AC input voltage range : 90V_{AC} ~ 265V_{AC}

Applications

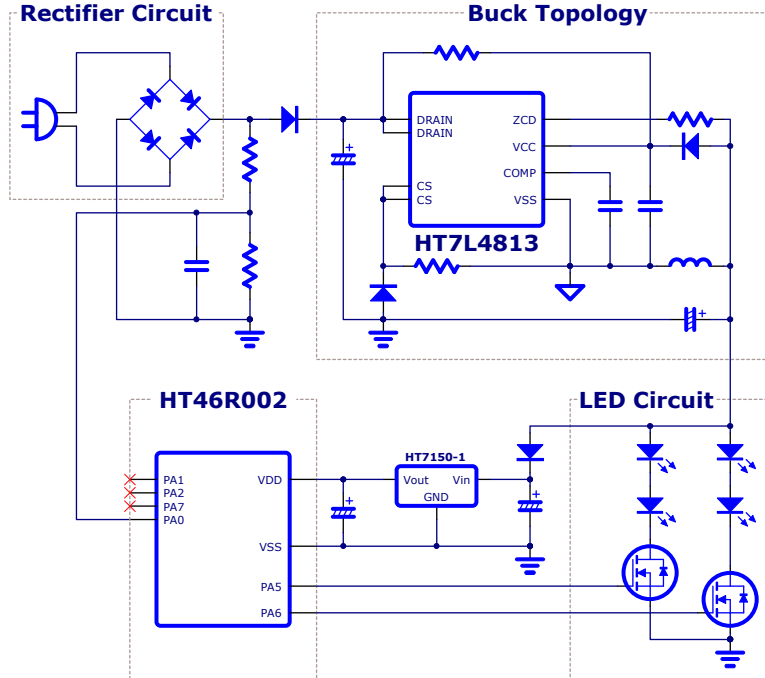
Sensor lighting, home lighting and other indoor lighting



Block Diagram



Application Circuit



Isolation Universal Lighting Blub

HT7L5600

Features

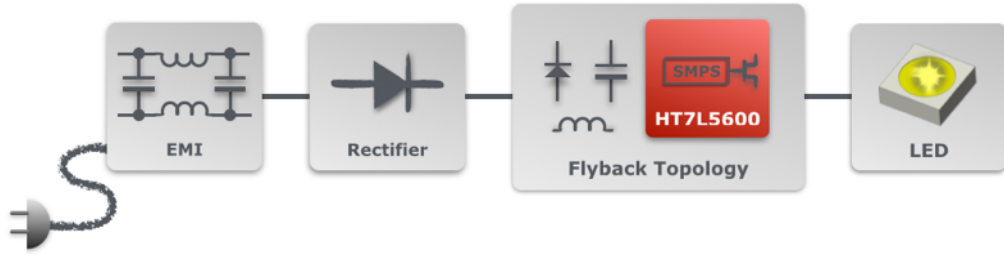
- Rated power : 8W
- Power factor > 0.9
- Full AC voltage input range : 90VAC ~ 265VAC
- Up to 82% efficiency
- Electric shock prevention – isolation topology
- LED output voltage : 24.2V
- LED output constant current : 266.5mA
- EMI : EN55015
- Protection Features
 - Short-circuit protection – SCP
 - Over-voltage protection – OVP
 - Over-temperature protection – OTP

Applications

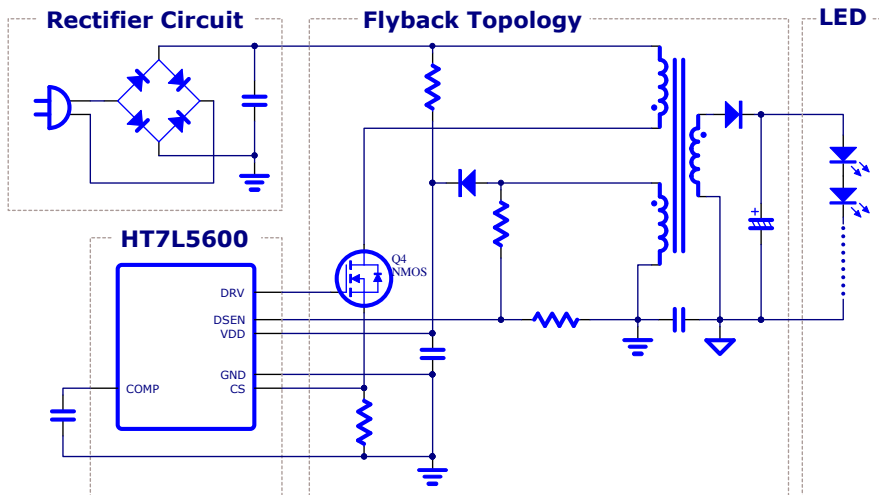
General lighting, home lighting and other indoor lighting



Block Diagram



Application Circuit



Touch Key 3-Segment Dimmable Desk Lamp

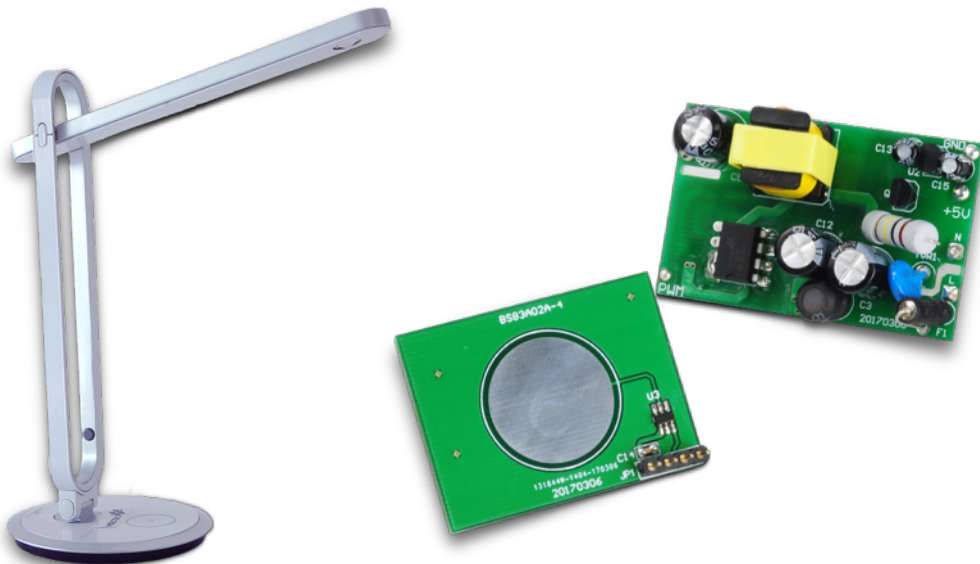
HT7L5610 + BS83A02A-4

Features

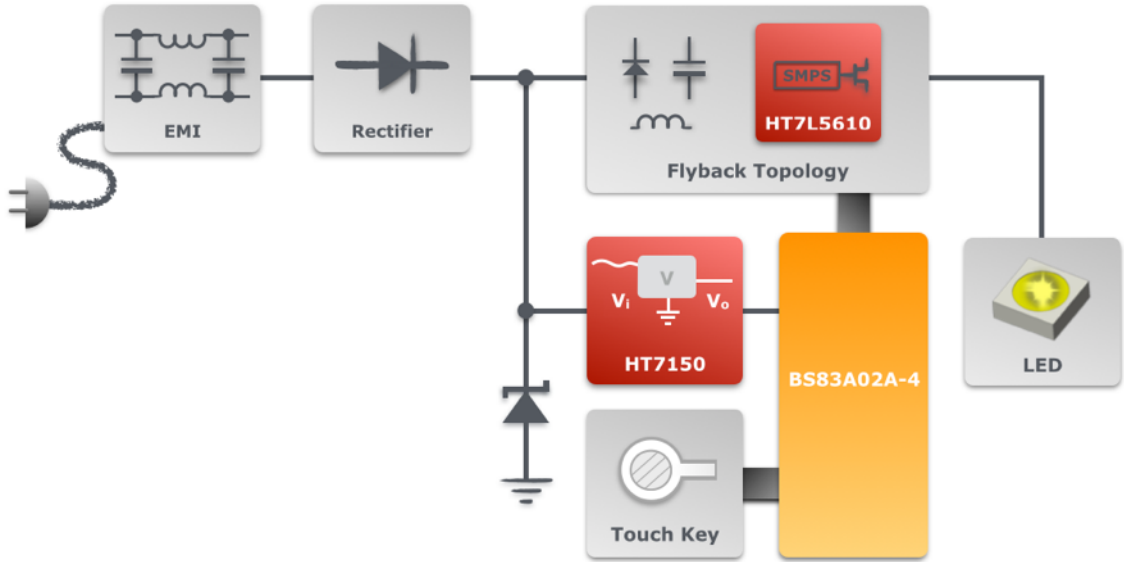
- Low cost touch control desk lamp solution
- 3-Brightness level : 100% → 50% → 10% → OFF → 10% → 50% and repeat
- Rated power : 5W
- Full AC input voltage range : 180VAC ~ 265VAC

Applications

Desktop lamps, office, home, study lamps



Block Diagram



Application Circuit

